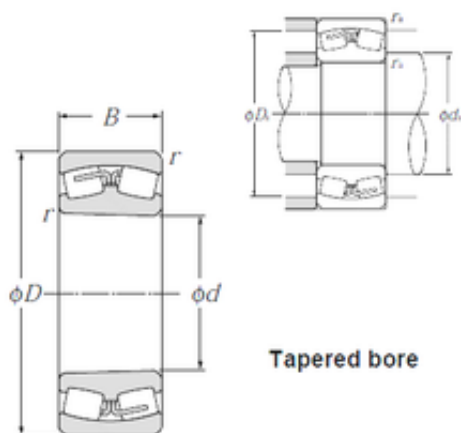




# UNF BRAINGS SALES JAPAN CO.,LTD.

380 mm x 620 mm x 194 mm 380 mm x 620 mm  
x 194 mm NTN 23176BK Spherical Roller Bearings



Bearing No. 23176BK

Size	380x620x194 mm
Bore Diameter	380 mm
Outer Diameter	620 mm
Width	194 mm
d	380 mm
D	620 mm
B	194 mm
C	194 mm
r min.	5 mm
da min.	402 mm
Da max.	598 mm
ra max.	4 mm
Weight	228 Kg
Basic dynamic load rating (C)	3 900 kN
Basic static load rating (C0)	7 500 kN
(Grease) Lubrication Speed	450 r/min
(Oil) Lubrication Speed	590 r/min
Calculation factor (e)	0,31
Calculation factor (Y0)	2,12
Calculation factor (Y1)	2,16

23176BK Bearing 2D drawings and 3D CAD models