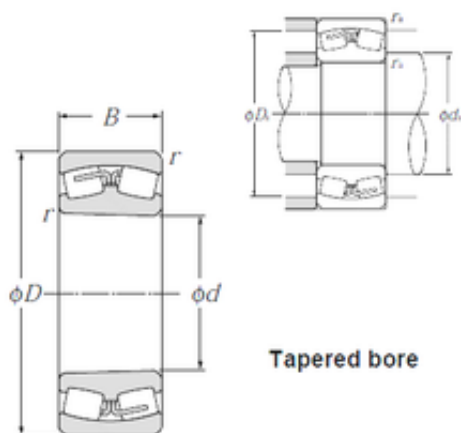




UNF BRAINGS SALES JAPAN CO.,LTD.

480 mm x 650 mm x 128 mm 480 mm x 650 mm
x 128 mm NTN 23996K Spherical Roller Bearings



Bearing No. 23996K

Size	480x650x128 mm
Bore Diameter	480 mm
Outer Diameter	650 mm
Width	128 mm
d	480 mm
D	650 mm
B	128 mm
C	128 mm
r min.	5 mm
da min.	502 mm
Da max.	628 mm
ra max.	4 mm
Weight	119 Kg
Basic dynamic load rating (C)	2 330 kN
Basic static load rating (C0)	5 500 kN
(Grease) Lubrication Speed	450 r/min
(Oil) Lubrication Speed	590 r/min
Calculation factor (e)	0,18
Calculation factor (Y0)	3,76
Calculation factor (Y1)	3,85

23996K Bearing 2D drawings and 3D CAD models