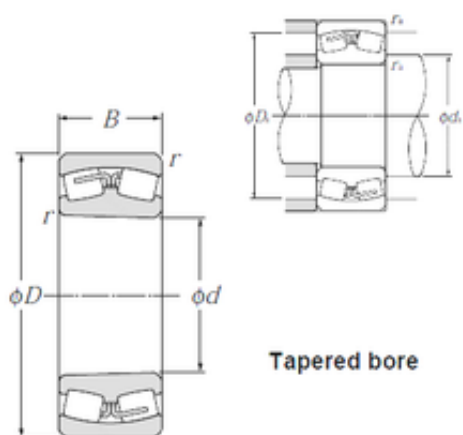




UNF BRAINGS SALES JAPAN CO.,LTD.



100 mm x 180 mm x 60,3 mm 100 mm x 180 mm x 60,3 mm NTN 23220BK Spherical Roller Bearings

Bearing No. 23220BK

23220BK Bearing 2D drawings and 3D CAD models

Size	100x180x60.3 mm
Bore Diameter	100 mm
Outer Diameter	180 mm
Width	60,3 mm
d	100 mm
D	180 mm
B	60,3 mm
C	60,3 mm
r min.	2,1 mm
da min.	112 mm
Da max.	168 mm
ra max.	2 mm
Weight	6,28 Kg
Basic dynamic load rating (C)	405 kN
Basic static load rating (C0)	580 kN
(Grease) Lubrication Speed	1 900 r/min
(Oil) Lubrication Speed	2 500 r/min
Calculation factor (e)	0,34
Calculation factor (Y0)	1,93
Calculation factor (Y1)	1,98