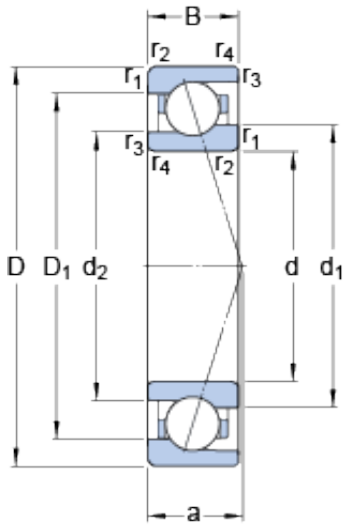




UNF BRAINGS SALES JAPAN CO.,LTD.



55 mm x 80 mm x 13 mm SKF 71911 CE/P4A Easy Handling Precision Bearings

Bearing No. 71911 CE/P4A

71911 CE/P4A Bearing 2D drawings and 3D CAD models

| | |
|---|-------------|
| Size | 80x55x13 mm |
| Bore Diameter | 80 mm |
| Outer Diameter | 55 mm |
| Width | 13 mm |
| d | 55 mm |
| D | 80 mm |
| B | 13 mm |
| d ₁ | 62.75 mm |
| d ₂ | 60.7 mm |
| D ₁ | 72.3 mm |
| r _{1,2} - min. | 1 mm |
| r _{3,4} - min. | 0.3 mm |
| a | 16.2 mm |
| d _a - min. | 59.6 mm |
| d _b - min. | 57 mm |
| D _a - max. | 75.4 mm |
| D _b - max. | 78 mm |
| r _a - max. | 1 mm |
| r _b - max. | 0.3 mm |
| d _n | 64.6 mm |
| Basic dynamic load rating - C | 15.3 kN |
| Basic static load rating - C ₀ | 10.6 kN |
| Fatigue load limit - P _u | 0.455 kN |
| Limiting speed for grease | 24000 r/min |



UNF BRAINGS SALES JAPAN CO.,LTD.

| | |
|------------------------------------|-------------------------|
| Lubrication | |
| Limiting speed for oil lubrication | 36000 mm/min |
| Ball - D_w | 7.938 mm |
| Ball - z | 21 |
| G_{ref} | 2.3 cm ³ |
| Calculation factor - f_0 | 8.4 |
| Preload class A - G_A | 83 N |
| Preload class B - G_B | 250 N |
| Preload class C - G_C | 500 N |
| Calculation factor - f | 1.16 |
| Calculation factor - f | 1 |
| Calculation factor - f_{2A} | 1 |
| Calculation factor - f_{2B} | 1.04 |
| Calculation factor - f_{2C} | 1.08 |
| Calculation factor - f_{HC} | 1 |
| Preload class A | 42 N/micron |
| Preload class B | 67 N/micron |
| Preload class C | 92 N/micron |
| Category | Precision Ball Bearings |
| Inventory | 0.0 |
| Manufacturer Name | SKF |
| Minimum Buy Quantity | N/A |
| Weight / Kilogram | 0.201 |
| EAN | 7316571590707 |
| Product Group | B04270 |
| Enclosure | Open |
| Precision Class | ABEC 7 ISO P4 |
| Material - Ball | Steel |
| Number of Bearings | 1 (Single) |
| Contact Angle | 15 Degree |



UNF BRAINGS SALES JAPAN CO.,LTD.

| | |
|--------------------------|--|
| Preload | None |
| Raceway Style | 1 Rib Inner Ring and Outer Ring |
| Cage Material | Phenolic |
| Rolling Element | Ball Bearing |
| Flush Ground | No |
| Inch - Metric | Metric |
| Other Features | Single Row Angular Contact High Precision |
| Long Description | 55MM Bore; 80MM Outside Diameter; 13MM Width; Open Enclosure; ABEC 7 ISO P4 Precision; Steel Ball Material; 1 (Single) Bearings; 15 Degree Contact Angle; Phenolic Cage Material; 1 Rib Inner Ring and |
| Category | Precision Ball Bearings |
| UNSPSC | 31171531 |
| Harmonized Tariff Code | 8482.10.50.28 |
| Noun | Bearing |
| Keyword String | Angular Contact Ball |
| Manufacturer URL | http://www.skf.com |
| Manufacturer Item Number | 71911 CE/P4A |
| Weight / LBS | 0.443 |
| Outside Diameter | 3.15 Inch 80 Millimeter |
| Width | 0.512 Inch 13 Millimeter |
| Bore | 2.165 Inch 55 Millimeter |
| d ₁ | 62.75 mm |
| d ₂ | 60.7 mm |
| D ₁ | 72.3 mm |
| r _{1,2} min. | 1 mm |
| r _{3,4} min. | 0.3 mm |
| d _a min. | 59.6 mm |
| | |



UNF BRAINGS SALES JAPAN CO.,LTD.

| | |
|--|---------------------|
| d_b min. | 57 mm |
| D_a max. | 75.4 mm |
| D_b max. | 78 mm |
| r_a max. | 1 mm |
| r_b max. | 0.3 mm |
| d_n | 64.6 mm |
| Basic dynamic load rating C | 15.3 kN |
| Basic static load rating C_0 | 10.6 kN |
| Fatigue load limit P_u | 0.455 kN |
| Attainable speed for grease lubrication | 24000 r/min |
| Attainable speed for oil-air lubrication | 36000 r/min |
| Ball diameter D_w | 7.938 mm |
| Number of balls z | 21 |
| Reference grease quantity G_{ref} | 2.3 cm ³ |
| Preload class A G_A | 83 N |
| Static axial stiffness, preload class A | 42 N/ μ m |
| Preload class B G_B | 250 N |
| Static axial stiffness, preload class B | 67 N/ μ m |
| Preload class C G_C | 500 N |
| Static axial stiffness, preload class C | 92 N/ μ m |
| Calculation factor f | 1.16 |
| Calculation factor f_1 | 1 |
| Calculation factor f_{2A} | 1 |
| Calculation factor f_{2B} | 1.04 |
| Calculation factor f_{2C} | 1.08 |
| Calculation factor f_{HC} | 1 |
| Calculation factor f_0 | 8.4 |
| Mass bearing | 0.17 kg |



UNF BRAINGS SALES JAPAN CO.,LTD.