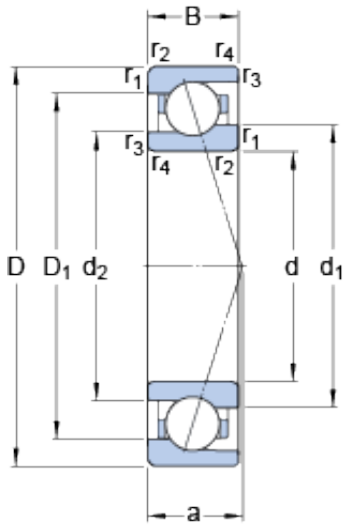




UNF BRAINGS SALES JAPAN CO.,LTD.



55 mm x 80 mm x 13 mm SKF 71911 CE/HCP4A Easy Handling Precision Bearings

Bearing No. 71911 CE/HCP4A

71911 CE/HCP4A Bearing 2D drawings and 3D CAD models

Size	80x55x13 mm
Bore Diameter	80 mm
Outer Diameter	55 mm
Width	13 mm
d	55 mm
D	80 mm
B	13 mm
d ₁	62.75 mm
d ₂	60.7 mm
D ₁	72.3 mm
r _{1,2} - min.	1 mm
r _{3,4} - min.	0.3 mm
a	16.2 mm
d _a - min.	59.6 mm
d _b - min.	57 mm
D _a - max.	75.4 mm
D _b - max.	78 mm
r _a - max.	1 mm
r _b - max.	0.3 mm
d _n	64.6 mm
Basic dynamic load rating - C	15.3 kN
Basic static load rating - C ₀	10.6 kN
Fatigue load limit - P _u	0.455 kN
Limiting speed for grease	28000 r/min



UNF BRAINGS SALES JAPAN CO.,LTD.

Lubrication	
Limiting speed for oil lubrication	43000 mm/min
Ball - D_w	7.938 mm
Ball - z	21
G_{ref}	2.3 cm ³
Calculation factor - f_0	8.4
Preload class A - G_A	83 N
Preload class B - G_B	250 N
Preload class C - G_C	500 N
Calculation factor - f	1.16
Calculation factor - f	1
Calculation factor - f_{2A}	1
Calculation factor - f_{2B}	1.05
Calculation factor - f_{2C}	1.09
Calculation factor - f_{HC}	1.01
Preload class A	46 N/micron
Preload class B	74 N/micron
Preload class C	102 N/micron
d_1	62.75 mm
d_2	60.7 mm
D_1	72.3 mm
$r_{1,2}$ min.	1 mm
$r_{3,4}$ min.	0.3 mm
d_a min.	59.6 mm
d_b min.	57 mm
D_a max.	75.4 mm
D_b max.	78 mm
r_a max.	1 mm
r_b max.	0.3 mm
d_n	64.6 mm



UNF BRAINGS SALES JAPAN CO.,LTD.

Basic dynamic load rating C	15.3 kN
Basic static load rating C_0	10.6 kN
Fatigue load limit P_u	0.455 kN
Attainable speed for grease lubrication	28000 r/min
Attainable speed for oil-air lubrication	43000 r/min
Ball diameter D_w	7.938 mm
Number of balls z	21
Reference grease quantity G_{ref}	2.3 cm ³
Preload class A G_A	83 N
Static axial stiffness, preload class A	46 N/ μ m
Preload class B G_B	250 N
Static axial stiffness, preload class B	74 N/ μ m
Preload class C G_C	500 N
Static axial stiffness, preload class C	102 N/ μ m
Calculation factor f	1.16
Calculation factor f_1	1
Calculation factor f_{2A}	1
Calculation factor f_{2B}	1.05
Calculation factor f_{2C}	1.09
Calculation factor f_{HC}	1.01
Calculation factor f_0	8.4
Mass bearing	0.14 kg