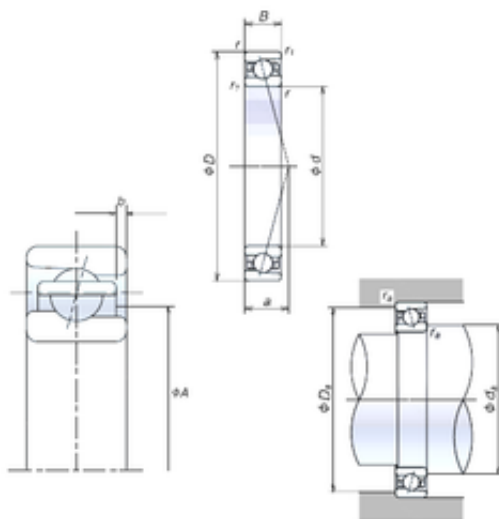




# UNF BRAINGS SALES JAPAN CO.,LTD.

## 35 mm x 55 mm x 10 mm NSK 35BER19H Easy Handling Precision Bearings

Bearing No. 35BER19H



35BER19H Bearing 2D drawings and 3D CAD models

Size	35x55x10 mm
Bore Diameter	35 mm
Outer Diameter	55 mm
Width	10 mm
d	35 mm
D	55 mm
B	10 mm
C	10 mm
Angle ( ° )	25 °
a	15,5 mm
b	0,5 mm
r min.	0,6 mm
r1 min.	0,3 mm
A	42 mm
da min.	40 mm
Da max.	50 mm
ra max.	0,6 mm
Weight	0,063 Kg
Basic dynamic load rating (C)	8,8 kN
Basic static load rating (C0)	5,75 kN
(Grease) Lubrication Speed	35600 r/min