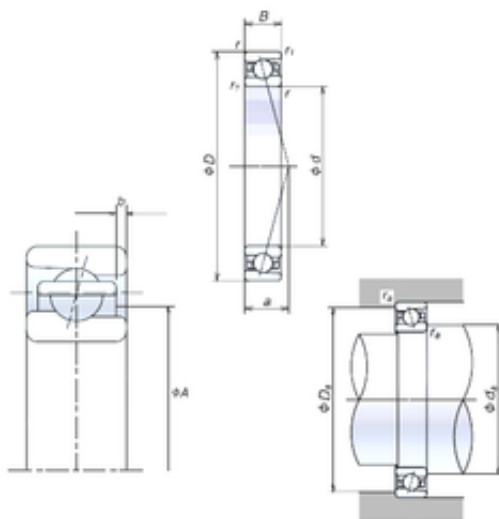




UNF BRAINGS SALES JAPAN CO.,LTD.

110 mm x 170 mm x 28 mm NSK 110BER10H High Accuracy Precision Bearings

Bearing No. 110BER10H



110BER10H Bearing 2D drawings and 3D CAD models

Size	110x170x28 mm
Bore Diameter	110 mm
Outer Diameter	170 mm
Width	28 mm
d	110 mm
D	170 mm
B	28 mm
C	28 mm
Angle (°)	25 °
a	46,7 mm
b	1,7 mm
r min.	2 mm
r1 min.	1 mm
A	132,5 mm
da min.	120 mm
Da max.	160 mm
ra max.	2 mm
Weight	1,996 Kg
Basic dynamic load rating (C)	44 kN
Basic static load rating (C0)	45 kN
(Grease) Lubrication Speed	11500 r/min