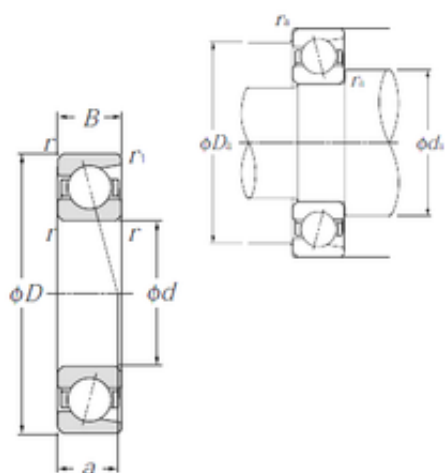




UNF BRAINGS SALES JAPAN CO.,LTD.



65 mm x 120 mm x 23 mm NTN 7213C
Interchangeable with open TAC serie Precision Bearings

Bearing No. 7213C

Size	65x120x23 mm
Bore Diameter	65 mm
Outer Diameter	120 mm
Width	23 mm
d	65 mm
D	120 mm
B	23 mm
C	23 mm
Angle (°)	15 °
a	24 mm
r min.	1,5 mm
r1 min.	1 mm
Weight	0,948 Kg
Basic dynamic load rating (C)	70 kN
Basic static load rating (C0)	55 kN
(Grease) Lubrication Speed	9 000 r/min
(Oil) Lubrication Speed	12 000 r/min

7213C Bearing 2D drawings and 3D CAD models