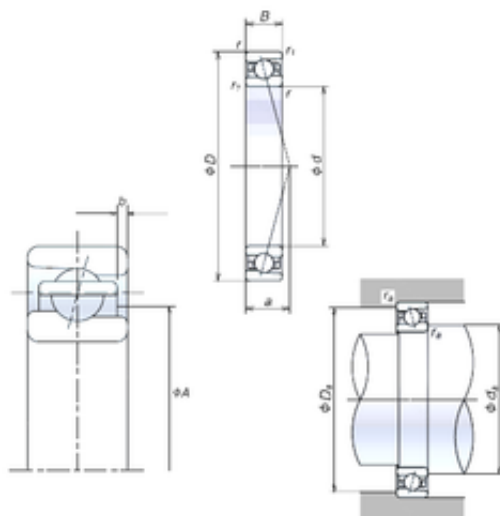




UNF BRAINGS SALES JAPAN CO.,LTD.

95 mm x 130 mm x 18 mm NSK 95BER19H Machined Brass Cages Angular Contact Ball Bearings



95BER19H Bearing 2D drawings and 3D CAD models

Bearing No. 95BER19H

Size	95x130x18 mm
Bore Diameter	95 mm
Outer Diameter	130 mm
Width	18 mm
d	95 mm
D	130 mm
B	18 mm
C	18 mm
Angle (°)	25 °
a	36,7 mm
b	0,7 mm
r min.	1,1 mm
r1 min.	0,6 mm
A	107 mm
da min.	102 mm
Da max.	123 mm
ra max.	1 mm
Weight	0,497 Kg
Basic dynamic load rating (C)	30,5 kN
Basic static load rating (C0)	29,7 kN
(Grease) Lubrication Speed	14300 r/min