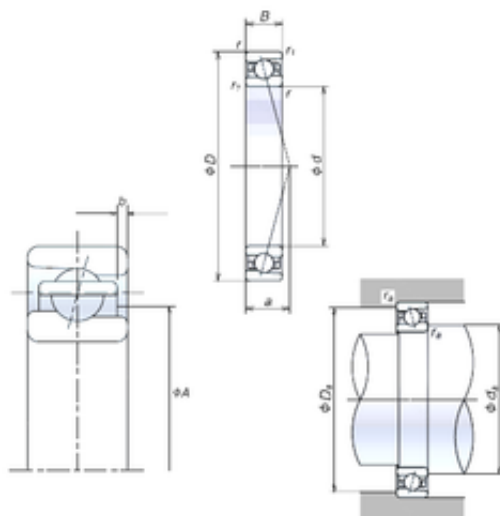




UNF BRAINGS SALES JAPAN CO.,LTD.

85 mm x 120 mm x 18 mm NSK 85BER19X Machined Brass Cages Angular Contact Ball Bearings



Bearing No. 85BER19X

Size	85x120x18 mm
Bore Diameter	85 mm
Outer Diameter	120 mm
Width	18 mm
d	85 mm
D	120 mm
B	18 mm
C	18 mm
Angle (°)	25 °
a	32,9 mm
b	0,7 mm
r min.	1,1 mm
r1 min.	0,6 mm
A	98,5 mm
da min.	92 mm
Da max.	113 mm
ra max.	1 mm
Weight	0,456 Kg
Basic dynamic load rating (C)	28,1 kN
Basic static load rating (C0)	25,2 kN
(Grease) Lubrication Speed	18600 r/min

85BER19X Bearing 2D drawings and 3D CAD models