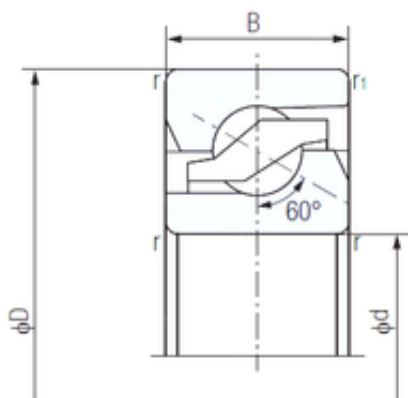




UNF BRAINGS SALES JAPAN CO.,LTD.

60 mm x 120 mm x 20 mm NACHI 60TAB12 Machined Brass Cages Angular Contact Ball Bearings

Bearing No. 60TAB12



60TAB12 Bearing 2D drawings and 3D CAD models

Size	60x120x20 mm
Bore Diameter	60 mm
Outer Diameter	120 mm
Width	20 mm
d	60 mm
D	120 mm
B	20 mm
C	20 mm
Angle (°)	60 °
r min.	1 mm
r1 min.	0,6 mm
Weight	1,08 Kg
Basic dynamic load rating (C)	73 kN
Basic static load rating (C0)	137 kN
(Grease) Lubrication Speed	2300 r/min