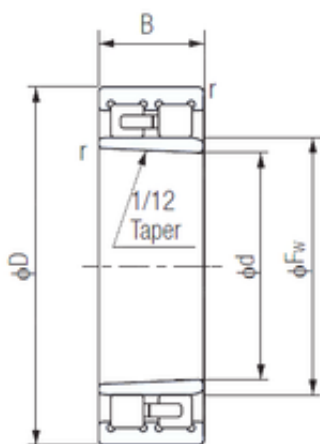




UNF BRAINGS SALES JAPAN CO.,LTD.



200 mm x 280 mm x 80 mm NACHI NNU4940K Machined Brass Cages Angular Contact Ball Bearings

Bearing No. NNU4940K

Size	200x280x80 mm
Bore Diameter	200 mm
Outer Diameter	280 mm
Width	80 mm
d	200 mm
Fw	225 mm
D	280 mm
B	80 mm
C	80 mm
r min.	2,1 mm
Weight	10,1 Kg
Basic dynamic load rating (C)	570 kN
Basic static load rating (C0)	1220 kN
(Grease) Lubrication Speed	3200 r/min

NNU4940K Bearing 2D drawings and 3D CAD models