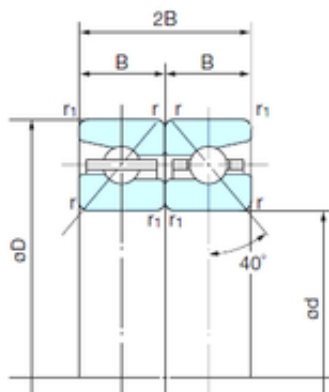




UNF BRAINGS SALES JAPAN CO.,LTD.

70 mm x 110 mm x 18 mm NACHI 70TBH10DB Matched Angular Contact Ball Bearings



Bearing No. 70TBH10DB

Size	70x110x18 mm
Bore Diameter	70 mm
Outer Diameter	110 mm
Width	18 mm
d	70 mm
D	110 mm
B	18 mm
Angle (°)	40 °
r min.	1.1 mm
r1 min.	0.6 mm
2B	36 mm
Basic dynamic load rating (C)	41,5 kN
Basic static load rating (C0)	104 kN
(Grease) Lubrication Speed	5600 r/min

70TBH10DB Bearing 2D drawings and 3D CAD models