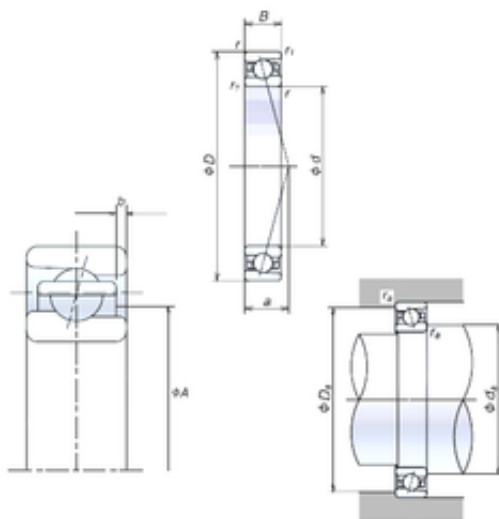




UNF BRAINGS SALES JAPAN CO.,LTD.

100 mm x 140 mm x 20 mm NSK 100BNR19X Matched Angular Contact Ball Bearings

Bearing No. 100BNR19X



100BNR19X Bearing 2D drawings and 3D CAD models

| | |
|-------------------------------|---------------|
| Size | 100x140x20 mm |
| Bore Diameter | 100 mm |
| Outer Diameter | 140 mm |
| Width | 20 mm |
| d | 100 mm |
| D | 140 mm |
| B | 20 mm |
| C | 20 mm |
| Angle (°) | 18 ° |
| a | 29,5 mm |
| b | 0,7 mm |
| r min. | 1,1 mm |
| r1 min. | 0,6 mm |
| A | 113,5 mm |
| da min. | 107 mm |
| Da max. | 133 mm |
| ra max. | 1 mm |
| Weight | 0,673 Kg |
| Basic dynamic load rating (C) | 38 kN |
| Basic static load rating (C0) | 35 kN |
| (Grease) Lubrication Speed | 17500 r/min |