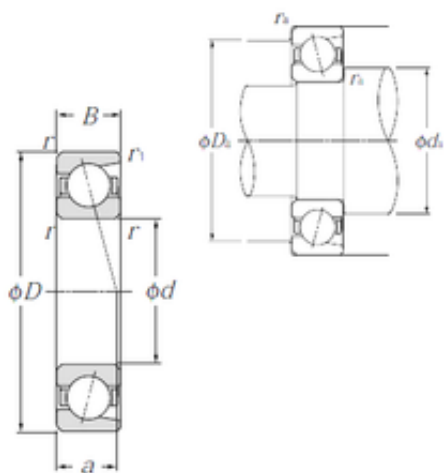




UNF BRAINGS SALES JAPAN CO.,LTD.

55 mm x 100 mm x 21 mm NTN 7211C Pressed Steel Cages Single-Row Angular Contact Ball Bearings



Bearing No. 7211C

Size	55x100x21 mm
Bore Diameter	55 mm
Outer Diameter	100 mm
Width	21 mm
d	55 mm
D	100 mm
B	21 mm
C	21 mm
Angle (°)	15 °
a	21 mm
r min.	1,5 mm
r1 min.	1 mm
Weight	0,593 Kg
Basic dynamic load rating (C)	53 kN
Basic static load rating (C0)	40 kN
(Grease) Lubrication Speed	11 000 r/min
(Oil) Lubrication Speed	14 000 r/min

7211C Bearing 2D drawings and 3D CAD models