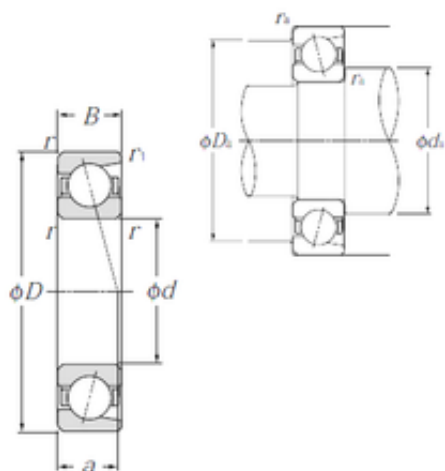




UNF BRAINGS SALES JAPAN CO.,LTD.

17 mm x 40 mm x 12 mm NTN 7203C Pressed Steel Cages Single-Row Angular Contact Ball Bearings



Bearing No. 7203C

Size	17x40x12 mm
Bore Diameter	17 mm
Outer Diameter	40 mm
Width	12 mm
d	17 mm
D	40 mm
B	12 mm
C	12 mm
Angle (°)	15 °
a	10 mm
r min.	0,6 mm
r1 min.	0,3 mm
Weight	0,062 Kg
Basic dynamic load rating (C)	11,2 kN
Basic static load rating (C0)	5,75 kN
(Grease) Lubrication Speed	29 000 r/min
(Oil) Lubrication Speed	38 000 r/min

7203C Bearing 2D drawings and 3D CAD models